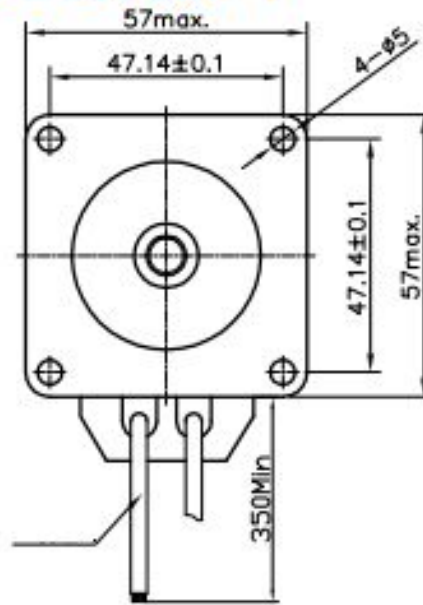
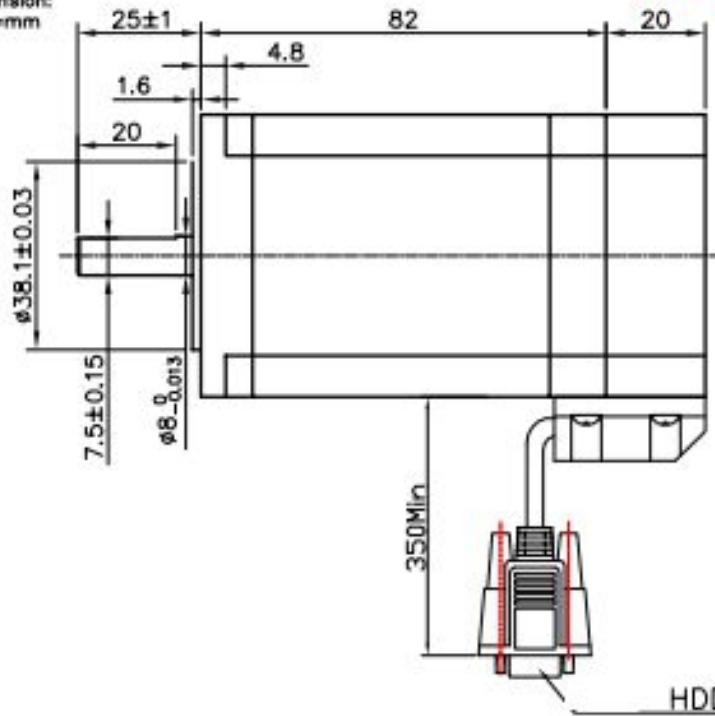
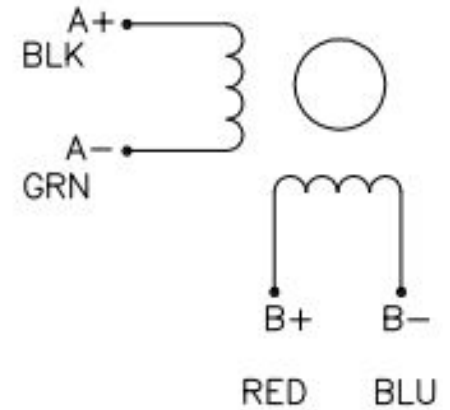


# ROBOCRAFT

Dimension:  
Unit=mm



Wiring Diagram:

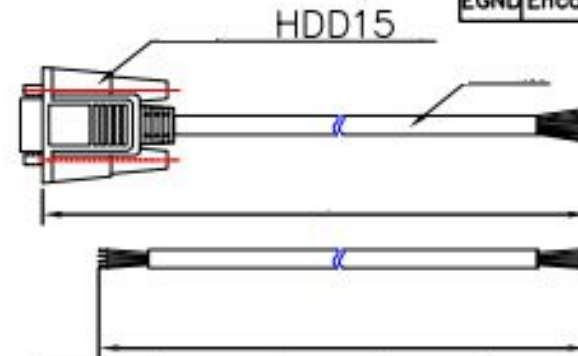


Encoder Wiring Diagram:

EA+	Encoder A phase input+	BLACK
EA-	Encoder A phase input-	BLUE
EB+	Encoder B phase input+	YELLOW
EB-	Encoder B phase input-	GREEN
Vcc	Encoder Voltage(+5V)	RED
EGND	Encoder Grand(0V)	WHITE

Specifications:

Phase	2		Comment
Step Angle	1.8	deg.	ENCODER:1000 Line
Voltage	4.62	V	
Current	4.2	A	
Resistance	1.1±10%	Ω	
Inductance	2.5±20%	mH	
Holding Torque	22	Kg.cm	
Insulation Class	B		
Mass	1.8	kg	



[www.robocraftstore.com/](http://www.robocraftstore.com/)

				Title:			
				Specification			
REV.	QTY.	No.	SIG.	DATE			JK57H582-42043FED-035H
DESIGN		20151113	STD.		CLS.MAK	WEIGHT SCALE	
CHECK							
PROC.			APPR.		PAGE:	OF PAGES	