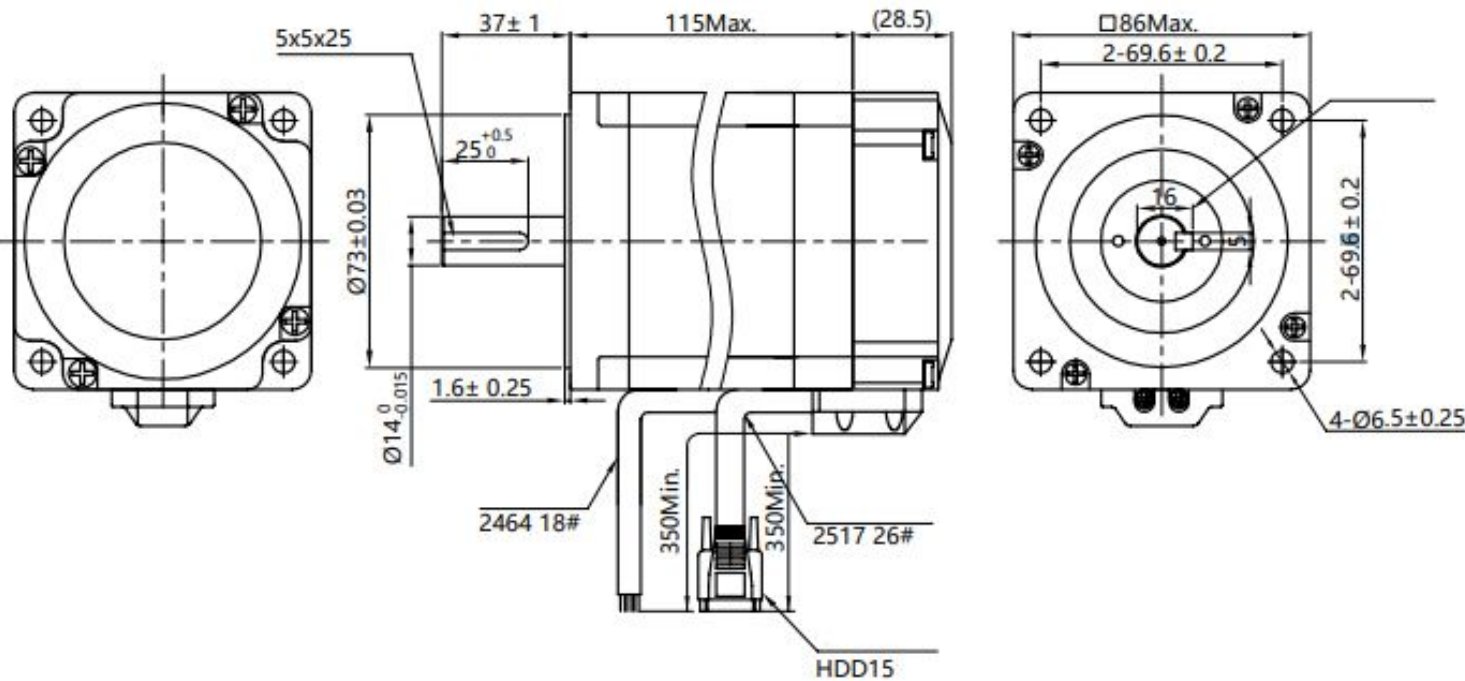


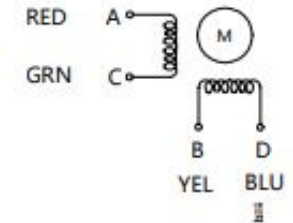
# ROBOCRAFT

## HYBRID STEPPING MOTOR SPECIFICATION

(DIMENSIONS) unit=mm



### Wiring Diagram



### Stepping Sequence vs. Direction of Rotation

STEP	A	B	C	D	
1	+	+	-	-	CCW
2	-	+	+	-	
3	-	-	+	+	
4	+	-	-	+	CW

Clockwise view from mounting side

### Encoder Wiring Diagram

EA+	Encoder A phase input+	BLACK
EA-	Encoder A phase input-	BLUE
EB+	Encoder B phase input+	YELLOW
EB-	Encoder B phase input-	GREEN
Vcc	Encoder Voltage(+5V)	RED
EGND	Encoder Grand(0V)	WHITE

1	Number of Phase	2			
2	Step Angle	1.8° deg.			
3	Rated Voltage	2.52 V			
4	Rated Current/Phase	6 A ( Peak Value)			
5	Phase Resistance	0.36 Ω ± 0.1(20°C)			
6	Phase Inductance	3.8 mH ± 20%(1kHz 1V RMS)			
7	Holding Torque	8.5 N.m			
8	Insulation Class	B (130° ) 80K Max.			
9	Weight	4.2 kg			
Specifications		Comment			

REV.	REVISION RECORD	DATE
DESIGN		
STANDARD		
TECHNOLOGY		
CHECK		
APPROVE		

[www.robocraftstore.com/](http://www.robocraftstore.com/)

Specification

TITLE	STEPPING MOTOR		
DWG.NO.	JK86HSN85		
MATERIAL		SIZE	A4
REV.	A	SCALE	1:2 SHEET 1 of 1